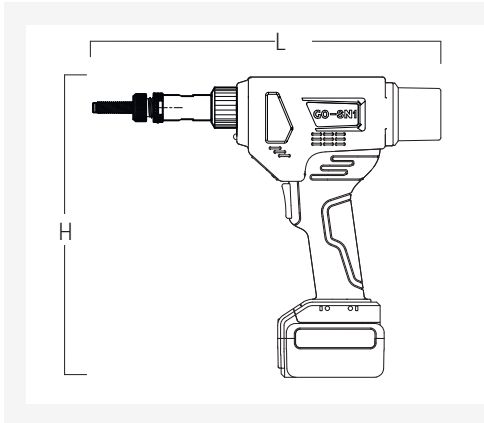


GO-SN1 - LITHIUM-ION CORDLESS RIVET NUT TOOL



RIVETING CAPACITY FOR BLIND RIVET NUTS
10-24 ~ 3/8-16UNC
All Materials



WEIGHT	3.52 lbs	1.6 kg
L x H	11.89" x 10.23"	302 x 260 mm
STROKE ADJUSTABLE FROM / UP TO	.15" - .61"	4.0 - 15.6 mm
PULLING FORCE	4721 lbf	21.0 kn
MATERIAL		PE
ITEM CODE	22770 50010	



INCLUDED EQUIPMENT SET

MANDRELS & ANVILS	10-24UNC, 10-32UNF, 1/4-20UNC, 5/16-18UNC, 3/8-16UNC	
QUICK CHANGE BATTERY	18 V Li-Ion / 2.0 Ah / 36 Wh	
CHARGER	18 V Li-Ion	
ABS CASE	14.96" x 11.81" x 3.15"	38 x 30 x 8 cm



METRIC EQUIPMENT SET

MANDRELS & ANVILS	M5, M6, M8, M10
ITEM CODE	2277059910



18V **LI-ION** **BRUSHLESS MOTOR**



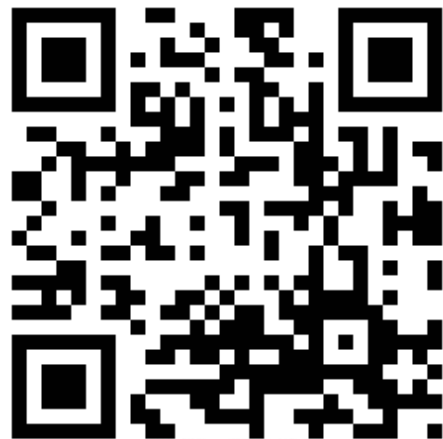
GO-SN1 - LITHIUM-ION CORDLESS RIVET NUT TOOL



DELIVERED WITH:



WATCH VIDEO HERE:



GO-SN1